

BRITESTREAM LED FIBREGLASS NICHE POOL LIGHTS

Owner's Manual



WARNING

This equipment must be installed and serviced by a qualified technician. Improper installation can create electrical hazards which could result in property damage, serious injury or death. Improper installation will void the warranty.



Notice to Installer

This manual contains important information about the installation, operation and safe use of this product. Once the product has been installed **this manual must be given to the owner/operator of this equipment.**

Table of Contents

LED FIBREGLASS NICHE POOL LIGHT INTRODUCTION -----	01
LED FIBREGLASS NICHE POOL LIGHT SPECIFICATIONS -----	01
LED FIBREGLASS NICHE POOL LIGHT -----	02
COMPONENT IDENTIFICATION	
INSTALLATION -----	02
LED REPLACEMENT LIGHT INSTALLATION -----	03
DISCONNECTING THE LED LIGHT -----	03
CONNECTING REPLACEMENT LED LIGHT -----	04
TROUBLE SHOOTING -----	05

LED FIBREGLASS NICHE POOL LIGHT INTRODUCTION

The Waterco LED Niche fiberglass pool light has been specifically designed for easy installation into fibreglass pools. Features include the following:

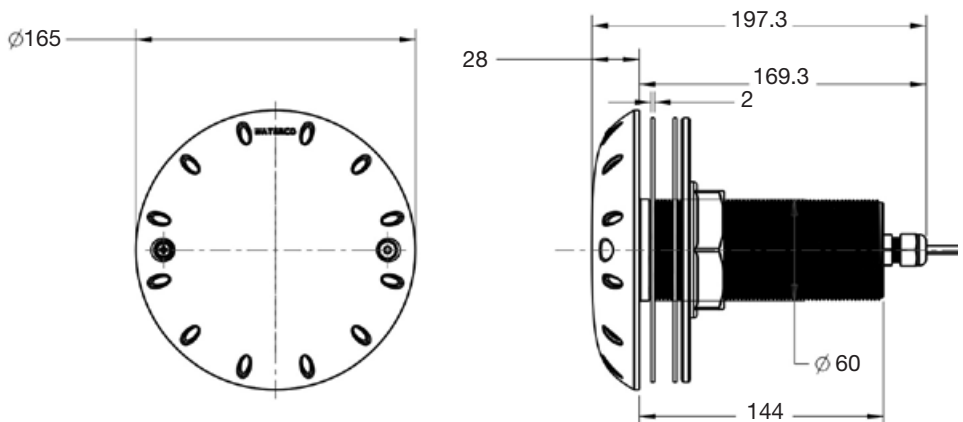
- Flush mounted with a minimal 28mm projection into pool.
- Super bright LED's capable of delivering 352 lumens (White LED).
- Life span of over 70,000 hours.
- 180° illumination.
- Operates on only 15% of the electrical power of a halogen light.

Available in multicoloured RGB, blue and white models.

CAUTION

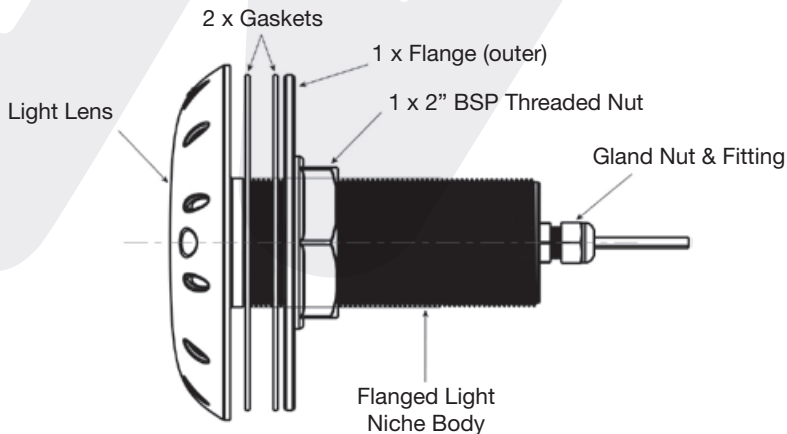
- *Ensure all pool lights are installed by a suitably qualified persons (e.g. registered pool builder and/or qualified electrician), in accordance with AS/NZS 3000:2007 standards.*
- *This pool light is supplied with a 20m power cable and should not be modified. Cutting an underwater section of power cable will void the warranty unless done so in conjunction with the underwater light replacement kit.*
- *The pool light must be installed not more than 600mm below top of coping, to allow for removal from pool for servicing.*
- *The recommended length of power cable that is stored within the light niche is 1m. This enables easy access without the need for entering the pool water.*
- *Ensure the light is submerged in water before switching on, to avoid overheating.*
- *Surrounding area has to be clear and unencumbered to allow for adequate space to service the light.*
- *When switched off, the light should be left to cool for two minutes before switching on again.*

LED FIBREGLASS NICHE POOL LIGHT SPECIFICATIONS



Note: Specification size in Millimeters (mm).

LED FIBREGLASS NICHE POOL LIGHT COMPONENT IDENTIFICATION



INSTALLATION

- Locate the ideal position within the fibreglass pool wall surface that best suits the lights installation ensuring this location is not more than 600mm below top of coping.
- Mark this position and using a 2.5" (63.5mm) holesaw drill a hole in the fibreglass pool wall that will allow the light to be fitted.
- Remove the 2" BSP threaded nut, flange (outer) & outer gasket from the lights niche body and the 20m power cable.
- Thread the 20m power cable from the inside of the fibreglass pool through to the outside of the pool and insert the pool light niche body into the 2.5" (63.5mm) hole.

Note: The inner gasket must be positioned between the pool light lens and the fibreglass pool surface.

- Thread the 20m power cable into the outer gasket, flange and 2" BSP nut and install on the exposed threaded light niche body. Tighten the 2" nut sufficiently to ensure the light assembly is properly secured to the fibreglass pool wall and will not leak water.

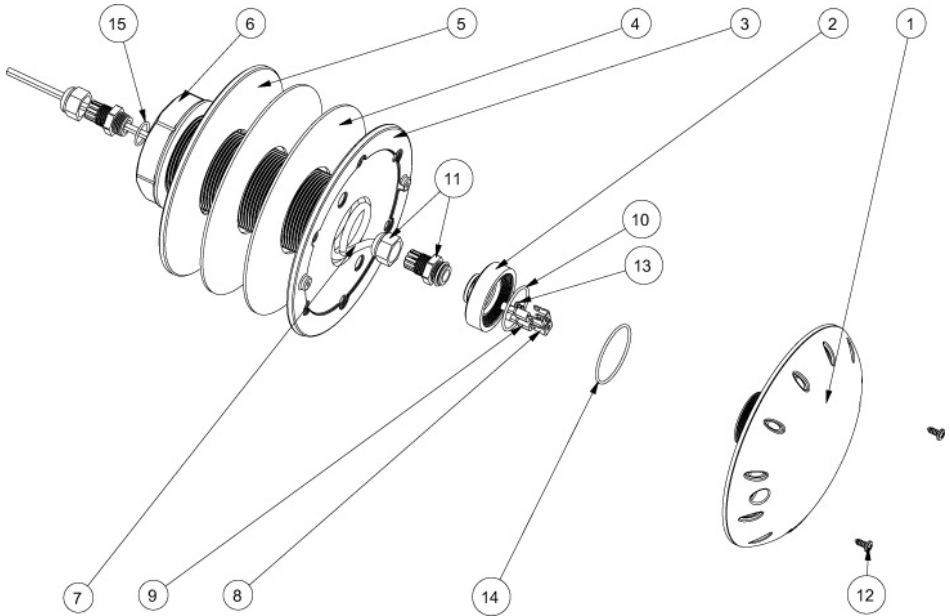
Note: Inspect and repair as necessary the fibreglass pool walls to ensure the inner & outer gaskets are able to provide a water tight seal.

Note: It is recommended that the pool light be fully immersed in water & the installation is inspected for leaks prior to back filling the pool light/s installation area.

- The 20m power cable is now ready for connection to a Waterco single or multi connect pool light transformer.

Note: For further protection of the power cable the use conduit is an option.

LED REPLACEMENT LIGHT INSTALLATION



Disconnecting the LED light

- Disconnect power to light at the circuit breaker.
- Remove the 2 screws (12) securing the light lens (1) to the outer flange niche body (3). This will allow the lens assembly to be removed from the pool water, but will still be connected to the niche body (3) via the 1m coiled power cord that is stored within the niche body (3).
- Remove the black power cable gland nut and Black gland (11) and slide back along power cable. Unscrew (turn to left) the gland mount cap (2) exposing the two power wires.

Note: These two wires are connected to the LED light assembly via two quick connect electrical spade connectors (8 & 9). These can be either disconnected by pulling apart or simply cutting the two power wires.

You have now successfully disconnected the existing LED light assembly and are ready to reconnect a new LED light assembly.

Connecting replacement LED light

The replacement LED lights are available as white, blue or multicolour RGB models and are supplied as a complete light assembly with the additional components as follows:

2 x Quick connect spade electrical connectors (8 & 9).

1 x gland mount cap (4) with black power cable gland nut and black gland (11).

2 x “o” rings (10 & 14).

1 x Bottle of natural lanoline.

- If not removed, inspect the two existing quick connect electrical connectors (8 & 9) on the two exposed wires of the power cable. These should be replaced if there is any suspicion of damage.
- If required remove the two quick connect electrical connectors (8 & 9) and replace with the 2 x replacements supplied with the LED replacement light.

Note: The exposed wires from the power cable conduit required length is approx 50mm.

Note: *The electrical components inspection and installation of the pool lights should be carried out by a suitably qualified persons (e.g. registered pool builder and/or qualified electrician), in accordance with AS/NZS 3000:2007 standards.*

- Remove the gland mount cap (2) from the rear of the LED replacement light (unscrew to left). The black power cable gland nut and black gland (14) are fitted into the gland mount cap (2). Unscrew the black power cable gland nut (2) and place over the power cable and push the power cable through the black gland (11) and gland cap (14).

Note: Gland nut (14) should not be fully tightened. This will allow for adjustment of power cable.

- If necessary, ensure the 2 x exposed power wires to the replacement LED pool light are approximately 50mm and then strip the blue and brown wires insulations approximately 10mm. Crimp the two quick connect spade connectors (8 & 9) to the stripped 10mm section of the blue and brown wires.
- Connect the two quick connect spade connectors (8 & 9) to connectors provided in the rear cap section of replacement LED light.
- Squeeze natural lanoline from supplied bottle into rear cap of replacement LED light completely covering the two quick connect spade connectors and fill to top.

Hint: Submerge the bottle of lanoline into a suitable size vessel and add temperate/warm water, this will help to soften the lanoline for easier flow and ensure the rear cap is completely full of lanoline for proper protection of the two quick connect spade connectors.

Slide gland mount cap (2) with black gland (11) to the correct position on the power cable conduit. Refit the two new “o” rings (10 & 13) to the rear of the replacement LED light and internally of the gland mount cap (2).

Note: Ensure that both “o’ rings are properly fitted into the gland mount cap (4) “o” ring seats/grooves.

- Secure gland mount cap (2) to the replacement LED light by turning to the right and tighten to ensure there is a water tight seal, and once again check “o” ring is proper fitting.
- Refit black power cable gland nut (11) and tighten to ensure proper sealing and locking the gland mount cap (4) to correct position.

The replacement LED light is now ready to be refitted to the outer flange niche body (3) already secured into the fibreglass pool wall. Ensure to carefully push the 1m coiled power cable into the outer flange niche body (3) and refit the new replacement LED light assembly and secure with the 2 screws (12).

Congratulations, reconnect power to your light at the circuit breaker and your new Waterco replacement LED light is ready for use.

TROUBLE SHOOTING

FAULT	POSSIBLE CAUSE	REMEDY
Light not operating	<ul style="list-style-type: none"> - Fuse in transformer blown. - No power to transformer. - Fault in electrical wiring. 	<ul style="list-style-type: none"> - Replace fuse. - Check main fuses in switchboard. - Electrician to check.
Light very dim and pulsating	<ul style="list-style-type: none"> - Mismatch of lamp and transformer ratings. - Damaged wiring/ connectors. 	<ul style="list-style-type: none"> - Fit correctly rated transformer*. - Replace wiring/ connectors.
Main house fuse blows when light switched on	<ul style="list-style-type: none"> - Faulty transformer - Damaged cable - Incorrect electrical installation. 	<ul style="list-style-type: none"> - Call electrician to check installation.

OFFICES - AUSTRALIA

NSW - SYDNEY
(HEAD OFFICE)
Tel: +61 2 9898 8600

QLD - BRISBANE
Tel: +61 7 3299 9900

VIC/TAS - MELBOURNE
Tel: +61 3 9764 1211

WA - PERTH
Tel: +61 8 9273 1900

SA/NT - ADELAIDE
Tel: +61 8 8244 6000

ACT DISTRIBUTION
Tel: +61 2 6280 6476

OFFICES - OVERSEAS

WATERCO (EUROPE) LIMITED
Sittingbourne, Kent, UK
Tel: +44 (0) 1795 521 733

WATERCO FRANCE
Saint Priest, France
Tel: +33 4 72 79 33 30

WATERCO (USA) INC
Augusta, Georgia, USA
Tel: +1 706 793 7291

WATERCO CANADA
Longueuil, Quebec, Canada
Tel: +1 450 748 1421

WATERCO (NZ) LIMITED
Auckland, New Zealand
Tel: +64 9 525 7570

WATERCO © LIMITED
Guangzhou, China
Tel: +86 20 3222 2180

WATERCO (FAR EAST) SDN BHD
Selangor, Malaysia
Tel: +60 3 6145 6000

PT WATERCO INDONESIA
Jakarta, Indonesia
Tel: +62 21 4585 1481

WATERCO SINGAPORE INTL PTE LTD
Nehsons Building, Singapore
Tel: +65 6344 2378

WATERCO

Waterco Limited ABN 62 002 070 733

