

BRITESTREAM MK5

26W TRICOLOUR LED LIGHT



BriteStream underwater LED light utilises energy efficient super bright LEDs and new generation MK5 light now integrates new BriteLux diffuser Lens which will splendidly light up your pool.

- Energy saving – operates on 26% of the energy of a halogen
- New BriteLUX diffuser lens
- Long life LEDs
- Universal adaptor plate
- Multi-Voltage, enabling connection to 12, 24 or 32 volt systems.





BriteLux Diffuser Lens

Unlike traditional LED lights that restrict the light output to individual hot spots, BriteLUX diffuser lens radiates light throughout the entire circumference of the lens.

The BriteLUX diffuser lens significantly boosts colour saturation and increases light transmission by 50 percent.

White LED Light

BriteStream white LED light can achieve up to 1395 lumens, and is available in cool white (5725K) and warm white (3026K) option.

Tricolour LED Light

BriteStream Tricolour LED light has 4 colour programs.

1. COOL WHITE		2. WARM WHITE	
3. BLUE		4. GREEN	

Easily Replace Your Existing Pool Halogen Lights.

BriteStream Light can easily replace an existing halogen light as they can be connected to 12, 24 or 32 volt systems. BriteStream LED Replacement Kit is supplied with two Retrofit Connector (IP68) and an Universal 1/4 turn twist-lock adaptor plate.



Universal 1/4 Turn Twist-Lock Adaptor Plate

Universal 1/4 Turn Twist-Lock Adaptor Plate is designed to adapt the BriteStream to the following light fittings.

- AQ Aquaquip
- SE Spa Electric
- SW Swim World
- PR Pool Rite
- ST Stroud

Technical Specifications

Zonal Distribution	Power Usage	Input Voltage (New Installation)	Input Voltage (Replacement Light)
0 to 180 degrees	26 watt	12V AC	12V, 24V, 32V AC (Multi-Voltage)

Warranty

BriteStream LED lights are covered by a comprehensive 2 Year warranty.

OFFICES - AUSTRALIA

NSW - Sydney (Head Office)
Tel: +61 2 9898 8600
QLD - Brisbane
Tel: +61 7 3299 9900
VIC/TAS - Melbourne
Tel: +61 3 9764 1211
WA - Perth
Tel: +61 8 9273 1900
SA/NT - Adelaide
Tel: +61 8 8244 6000
ACT Distribution
Tel: +61 2 6280 6476

OFFICES - OVERSEAS

Waterco (Europe) Limited
Sittingbourne, Kent, UK
Tel: +44 (0) 1795 521 733
Waterco (USA) Inc
Augusta, Georgia, USA
Tel: +1 706 793 7291
Waterco Canada
Longueuil, Quebec, Canada
Tel: +1 450 748 1421
Waterco (NZ) Limited
Auckland, New Zealand
Tel: +64 9 525 7570

Waterco (C) Limited
Guangzhou, China
Tel: +86 20 3222 2180

Waterco (Far East) Sdn Bhd
Selangor, Malaysia
Tel: +60 3 6145 6000

PT Waterco Indonesia
Jakarta, Indonesia
Tel: +62 21 4585 1481

Waterco Singapore Int'l Pte Ltd
Nehsons Building, Singapore
Tel: +65 6344 2378

BriteLux Diffuser Lens
Its diffuser lens radiates the entire light and boosts light transmission.

Slotted Rims
Assists heat dissipation, as well as permitting water circulation.

Super Bright & Energy Saving
Super bright energy saving LEDs, which operate on only 26 watts.

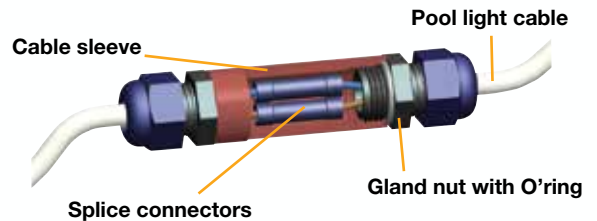
Long Life LEDs
LEDs are long lasting, energy efficient light source.

Built-in Heat Management
The LED's heat output is automatically managed by its electronic circuitry.

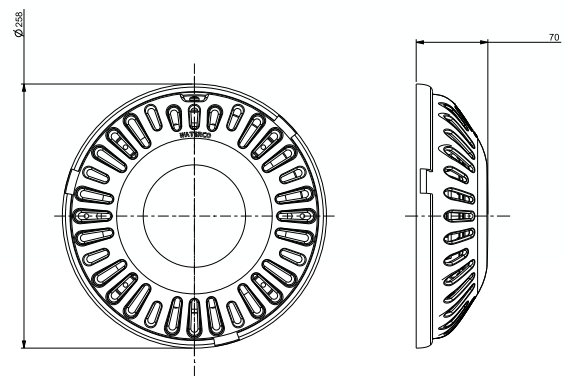
Pool Cleaner Shield
Improves the aesthetics of the installation and prevents the pool cleaner's skirt from being trapped behind the light.

Retrofit Connectors (IP68)

Easy to use Retrofit Connector, is supplied in two sizes, one that suits 6mm & less and another 6mm & plus power cable. Simply crimp both connections with the splice connectors, slide the cable sleeve over the connection and hand tighten the gland nuts.



Dimensions



DISTRIBUTED BY:

